

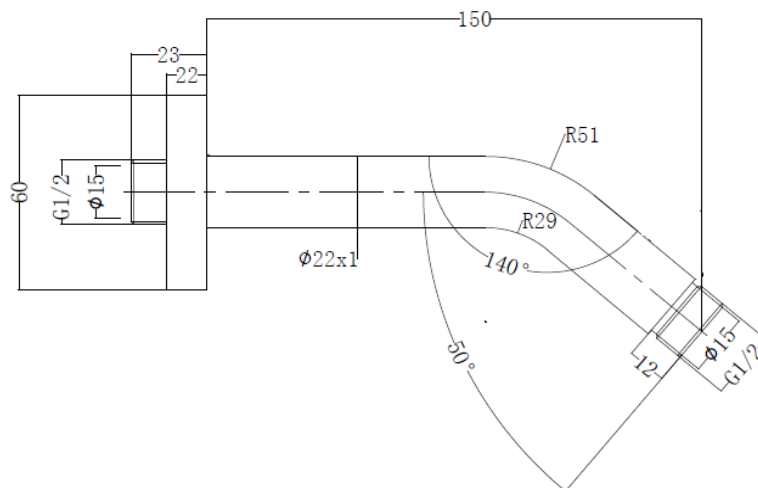
Shower Arm

PRODUCT SPECIFICATIONS

- Dimensions : Refer as below
- Material : Brass Chrome



TECHNICAL DRAWING



Copyright © Rigel Technology. (S) Pte Ltd. All rights reserved.

DISCLAIMER : While every effort has been made to ensure factual accuracy, the information presented is subject to changes due to requirements in different sites, markets and / or countries. Rigel reserves the right to make the necessary amendments at any time without prior notice.

Rev : 0.1
Date : 08.11.2019